

ATTENTION

●Before the installation, please make sure to read this instruction manual carefully and understand all of its directions. Please do NOT use this product without understanding the proper usage. ●Check if there are any glass or silicone defects before the installation. Most initial failure can be found with such a checking, and serious accidents such as water leakage can be avoided. ●Bubbles inside the silicone do NOT affect the integrity of the aquarium tank or its strength. ●This product has satisfactory strength as an aquarium, however due to its nature produced from glass, it is vulnerable against sudden shock from outside or distortion. Please follow the instructions written below. Aqua Design Amano is NOT liable for any damage or accident caused by the improper or unapproved use of this product.

IMPORTANT

*Please read carefully

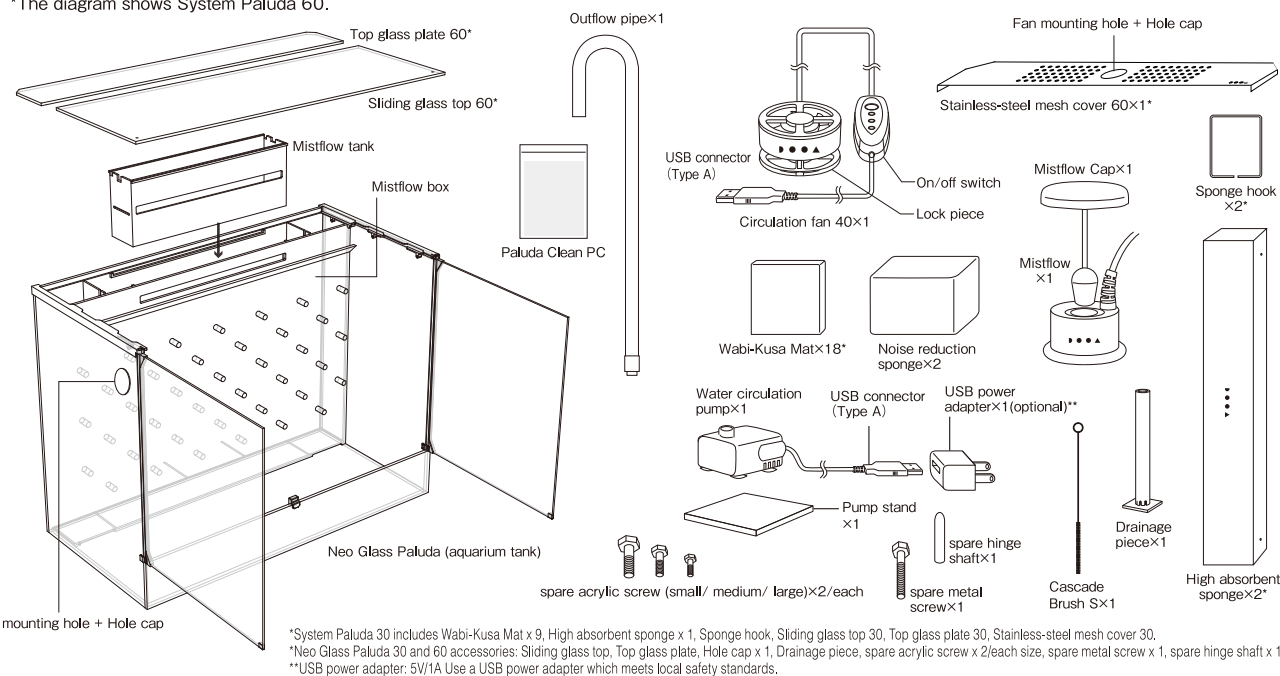
- Install this product on the plane surface of sufficient strength with no deformation or inclination, using ADA aquarium cabinet. Before the installation, make sure the cabinet is leveled, and is not distorted or inclined. In case aquarium tank got cracked under normal use, improper installation such as the distortion of the aquarium cabinet and cabinet incline may be a main reason. Aqua Design Amano is not liable for any cracking of the glass tank.
- For safety reasons, we strongly recommend to place a rubber or polyurethane mat, easing the aquarium cabinet distortion. Use of ADA Garden Mat is strongly recommended.
- Do NOT place this product on top of furniture, including but not limited to desk, shoe cupboard, sideboard, or storage rack. Please also avoid placing this product on the floor directly or on top of wooden board placed on the floor.
- Do not place this product in the following locations, even if set up with ADA aquarium cabinet. ●Carpet floor or tatami mat room ●Vibration-sensitive place (For example, the second floor could be inappropriate in terms of building construction) ●Locations which receive direct sunlight, the place with extremely high or low humidity, or outdoors (It may accelerates the deterioration of the silicone, and shortens the product's lifecycle.) ●Locations with high temperature variation range, such as a place near an air conditioner ●Locations near home electric appliances (Water splash from the aquarium tank may trigger electrical shock.)
- Place this product out of reach of children.
- Handle with care, and do not apply vibration or shock from outside.
- When handling this product, make sure to carry by holding the bottom of the tank with empty condition.
- Do NOT move this product filled with water or set with substrate.
- Before placing this product on top of the aquarium cabinet, confirm the top is clear. Even small gravel could become the cause of cracking of the aquarium glass.
- Do NOT pour hot water (above 40°C) into this product. Sudden temperature change may cause cracking of the glass.
- Do NOT use detergent or organic solvent solution for cleaning. Those materials could deteriorate the silicone and acrylic surfaces. Use dry, soft cloth for cleaning this product.
- During the maintenance of the aquarium, please pay attention not to cause any scratch on the glass with gravel. When removing algae on the glass surface with scraper, be careful not to give damages to silicon joints.
- Do NOT use basic organic dyes in this product. It may deteriorate the silicone.
- Do NOT modify this product.
- Do NOT use this product if its silicone joint is deteriorated or detached.

1. Product Features of SYSTEM PALUDA & NEO GLASS PALUDA *Neo Glass Paluda contains a glass tank only, without device.

ADA System Paluda 30 and 60 are aquarium kits designed specifically for paludarium use, which enable you to grow tropical plants in optimum conditions. System Paluda 60 has double-door design and System Paluda 30 with single swing door. They both have a sliding glass top. Front glass doors fully open for easy maintenance. System Paluda 30 and 60 come with a Mistflow box. The mist generated by Mistflow comes down from the Mistflow tank, where the water is kept at a constant level by a water circulation pump, and creates moist conditions in the aquarium tank. You can drain the water gathering at the bottom of the tank over time by absorbing it by the high absorption sponge. The Mistflow box has retainer grid pins to easily mount Wabi-Kusa Mat on the wall for background layout. By installing Circulation Fan 40 to either a fan mounting hole located at the side of the tank or on the Stainless-steel mesh cover, you can direct the mist downwards and generate wind, which is necessary for the growth of plants such as orchids. Power Cord S-70 (sold separately) enables you to control lighting schedule, wind and humidity of the paludarium and create various conditions suitable for the plants. You can also enjoy the distinctive colors of tropical plants by using RGB LED Paluda Light 30 and 60 (sold separately) with this product.

2. Parts *Before setting up this product, make sure that all the parts are included in the package.

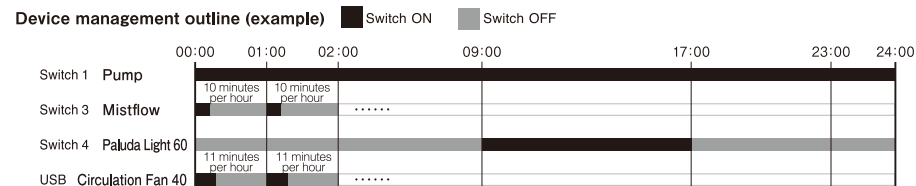
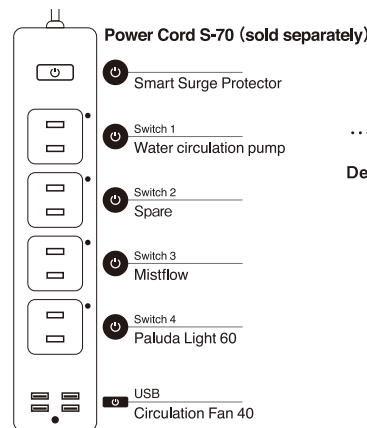
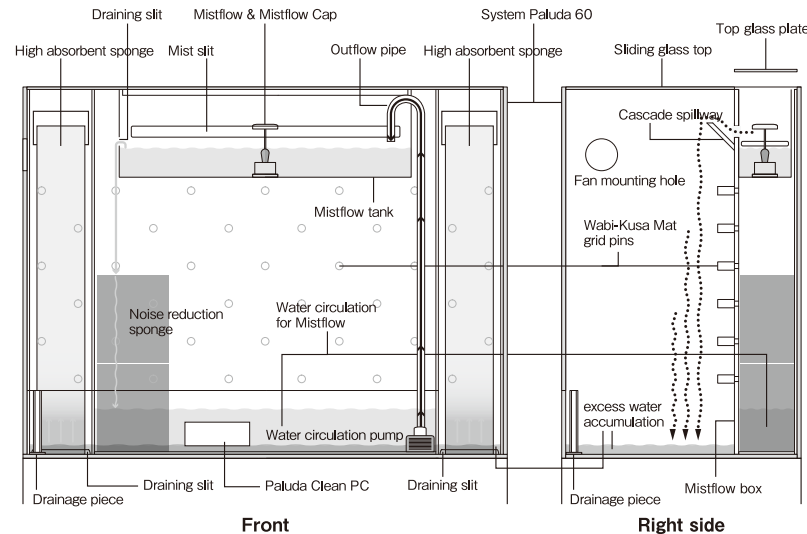
*The diagram shows System Paluda 60.



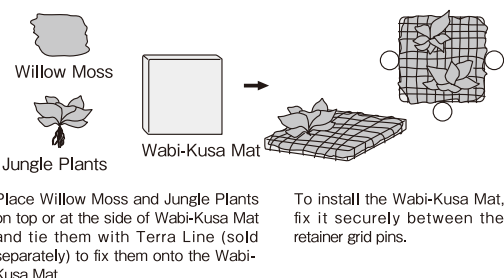
*System Paluda 30 includes Wabi-Kusa Mat x 9, High absorbent sponge x 1, Sponge hook, Sliding glass top 30, Top glass plate 30, Stainless-steel mesh cover 30.
 *Neo Glass Paluda 30 and 60 accessories: Sliding glass top, Top glass plate, Hole cap x 1, Drainage piece, spare acrylic screw x 2/each size, spare metal screw x 1, spare hinge shaft x 1
 **USB power adapter: 5V/1A Use a USB power adapter which meets local safety standards.

3. Usage

- ① Pump and Outflow pipe installation / Water circulation pump is an always-on pump that maintains the water level in the Mistflow tank. Fix the pump on the Pump stand and connect the Outflow pipe properly by referring to the illustration below. Be careful not to drop the pump and Pump stand into the Mistflow box when installing the pump. It may cause scratches, chipping or breakage.
- ② Placing Paluda Clean PC / It is an exchangeable absorption pack that removes dissolved calcium and magnesium from the water with the function of cation exchange resin, and suppresses white stains (water scale) on the glass surfaces of paludarium. Place a pack at the bottom of the Mistflow box. It is recommended to replace it once a month.
- ③ Starting the Pump / Pour water directly into the Mistflow box to the level where the pump is completely sunk in water so that the pump will not run without water. The water level should be below the bottom of the Mistflow tank. Then, plug the USB power adapter into an electrical outlet and run the pump (connect the USB connector of the pump to the USB power adapter). Once the pump starts running, the water level gradually decreases due to evaporation of water. Check the water level regularly to make sure that it is above the pump. Keep the appropriate water level by adding water when necessary. Never run the pump without water to avoid failure of the pump. Once you start the pump, make sure of the normal operation of the pump without any troubles including water leakage. If any abnormal symptom is observed, unplug the USB power adapter (or USB connector) immediately and check again if there is any problem in connections or installation. Do not use this product unless troubleshooting is completed. Water spilled on USB power adapter/electrical outlet or water running down the cord can cause fire or electric shock. To avoid this, plug in the USB power adapter into an electrical outlet located at a position higher than the tank. If you need to use an outlet located at a position lower than the tank for an unavoidable reason, the use of Power Cord S-70 (sold separately) is recommended.
- ④ Mistflow and Mistflow Cap Installation / Attach Mistflow Cap to Mistflow and set it in the circular fitting piece located in the center of the Mistflow tank.
- ⑤ Circulation Fan 40 installation / Remove the Hole cap located in the center of the Stainless-steel mesh cover and set the fan into the hole. Fix the fan with the lock piece to use. The fan will spread the mist, generated simultaneously by Mistflow, throughout the tank. Running the fan 1 minute longer than Mistflow will help prevent the mist from accumulating inside the tank and condensation on the glass surface. For step-by-step instructions, scan the QR code below to watch the installation video.
- ⑥ Drainage piece Installation / Place the Drainage piece at the front edge of the tank. Pay attention not to knock it down when adding substrates to the tank. To drain the water, insert a silicone tube of 6mm in outer diameter.
- ⑦ Lighting Installation / Install a lighting system compatible with System Paluda. ADA Paluda Light (sold separately) is a LED lighting system designed specifically for paludarium use. Each of the three primary colors of light is modulated optimally to beautifully illuminate tropical plants. Paluda Light 30 and 60 are available for tanks that are 30cm and 60cm in width.
- ⑧ Controlling cultivation conditions / With Power Cord S-70 (sold separately), you can precisely control the operation of the lighting system (Paluda Light), Mistflow and Circulation Fan 40 and create various conditions suitable for the plants.



*The optimum growing conditions vary depending on each plant species. Observe plant's conditions and adjust the settings of the device accordingly.



- How to use Wabi-Kusa Mat
- Before use, shake or squeeze Wabi-Kusa Mat lightly (not too hard to avoid deforming the mat) in a container filled with water to remove dust or rubbish on the mat as well as to pre-wet it.
- Use of ADA Terra Line for fixing Willow Moss to Wabi-Kusa Mat is beneficial in maintaining a good nurturing environment. Willow Moss attached to Wabi-Kusa Mat is naturally watered from the water absorbed and contained in Terra Line. Water will be evenly supplied to Willow Moss by tying Terra Line in a grid pattern with a spacing of 0.5-1cm.
- Epiphytes from ADA's Jungle Plant series are great items for paludarium background. When fixing the plants to the Wabi-Kusa Mat, trim off the damaged leaves and roots first and wrap the stems and roots with Willow Moss.

4. Other precautions

- For lighting, use Paluda Light (sold separately) compatible to the tank size.
- Attach a Sponge hook to the High absorbent sponge before use. The sponge gets dirty and clogged over use. Clogged sponge will cause a decline in absorption. Hence, regular cleaning of sponge is necessary. For cleaning, remove the sponge from the tank and lightly squeeze and wash it in a bucket filled with water.
- Dirt and algae build up on the Cascade spillway. Before water flow is affected by dirt/algae, remove them with Cascade Brush S to keep this part clean.
- Fix Wabi-Kusa Mat in place firmly using the retainer grid pins. System Paluda 30 can hold up to 9 pieces of Wabi-kusa Mat, and System Paluda 60 up to 18 pieces.
- Separately sold Jungle Soil and Jungle Base of the DOOA Series are recommended as substrate materials to be used for this product.
- The mist may escape through the gap in the glass door, depending on the installation or the usage conditions of Circulation Fan 40. Use a commercially available U-shape silicone seal if necessary.

SYSTEM PALUDA

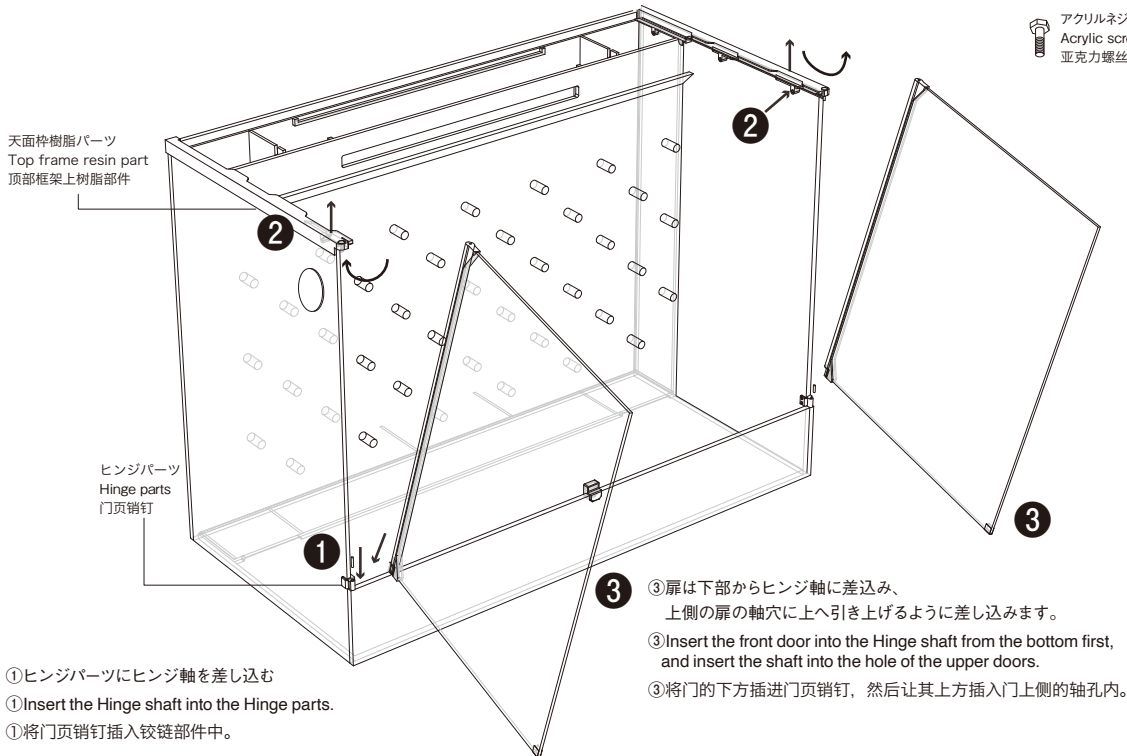


Installation Instructions

DOOA システムパルダ設置方法

DOOA 雨林套装安装方法

- ②水槽の天面枠樹脂パーツのネジを緩めて、上に浮かすように少し持ち上げます。
- ②Loosen the screw of the top frame resin part of the main body and shift it upward.
- ②拧松雨林缸顶部框架树脂部件的螺丝，使其处于松动的上浮状态。



ヒンジ軸
Hinge shaft
门页销钉

- ④ 差し込んだら「②」で浮かすように持ち上げた樹脂パーツを下げ、扉を固定します。
- ④ After inserting, down the resin part that was up earlier and fix the front doors.
- ④ 插入轴孔后将此前拧松动的树脂部件放下，把门固定。

